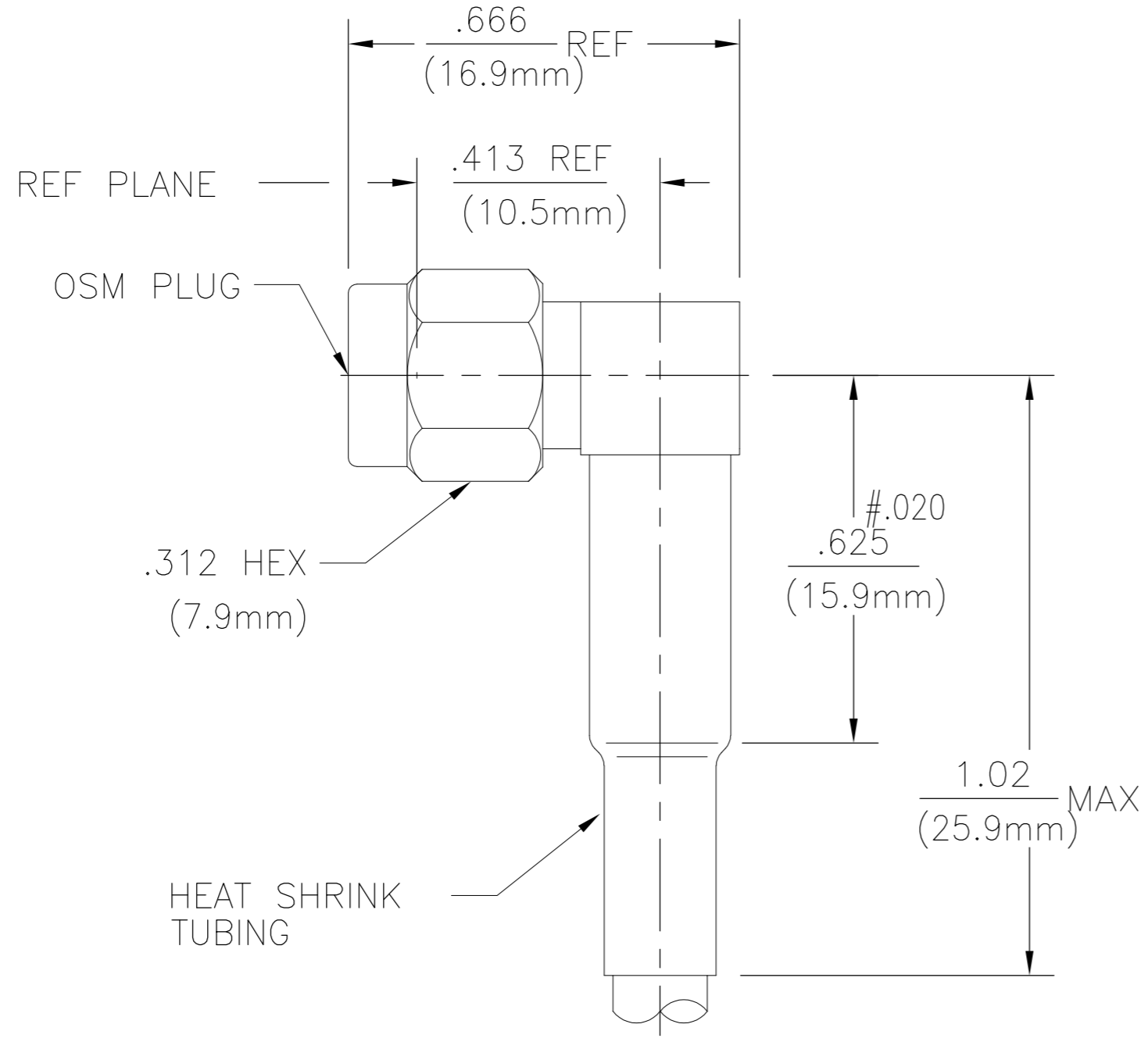


THIS DRAWING IS UNPUBLISHED. RELEASED FOR PUBLICATION  
 © COPYRIGHT BY TYCO ELECTRONICS CORPORATION. ALL RIGHTS RESERVED.

|   |      |
|---|------|
| DESIGNED FOR USE WITH<br>RG-142/U FLEX CABLE<br>CABLE ENTRY DIAMETER<br>MINIMUM |      |
| FERRULE   | .216 |
| CONTACT   | .040 |
| HOUSING   | .119 |

| LOC | DIST | REVISIONS |     |                       |           |     |      |
|-----|------|-----------|-----|-----------------------|-----------|-----|------|
| AJ  | 00   | P         | LTR | DESCRIPTION           | DATE      | DWN | APVD |
|     |      | B         |     | REV PER ECO 07-004710 | 3/12/2007 | DW  | KW   |



1052063-1  
PART NUMBER

| HOUSING CAP    | STAINLESS STEEL PER ASTM-A484 AND ASTM-A582, TYPE 303                             | GOLD PLATE PER MIL-G-45204 OVER NICKEL PLATE PER QQ-N-290    |
|----------------|---|--|
| COUPLING NUT   | STAINLESS STEEL PER ASTM-A484 AND ASTM-A582, TYPE 303                             | PASSIVATE PER ASTM-A380                                      |
| DIELECTRIC     | TFE FLUOROCARBON PER ASTM-D-1457  | N/A  |
| CENTER CONTACT | BERYLLIUM COPPER PER ASTM B 196, ALLOY C17300, CONDITION H OR BRASS PER ASTM-B-16 | GOLD PLATE PER MIL-G-45204 OVER COPPER PLATE PER MIL-C-14550 |
| RETAINING RING | BERYLLIUM COPPER PER ASTM B 194, ALLOY C17200, CONDITION H                        | N/A  |
| GASKET         | SILICONE RUBBER PER ZZ-R-765  | N/A  |
| SHRINK TUBING  | HEAT SHRINKABLE POLYOLEFIN COMPOUND MIL-I-23053/4                                 | N/A  |
| FERRULE        | COPPER OR BRASS ALLOY ROCKWELL F65 MAXIMUM  | GOLD PLATE PER MIL-G-45204 OVER COPPER PLATE PER MIL-C-14550 |
| COMPONENT      | MATERIAL  | FINISH   |

| ELECTRICAL  | MECHANICAL  | ENVIRONMENTAL   |
|---|---|---|
| Nominal Impedance (Ohms) 50   | Interface Dimensions MIL-STD-348A, Fig. 310.1                 | TEMPERATURE RATING -65°C TO +125°C  |
| Frequency Range (GHz) DC 12.4   | Recommended Mating Torque 7-10 In-Lbs                         | Vibration MIL-STD-202, Method 204, Condition D                                |
| Volt Rating (VRMS MAX) @ Sea Level 335                                  | Mating Characteristics:                                       | Shock MIL-STD-202, Method 213, Condition I                                    |
| VSWR 1.15+.01f(GHz)   | Insertion (MAX Lbs) N/A                                       | Thermal Shock MIL-STD-202, Method 107, Condition B, EXCEPT HIGH TEMP +85°C    |
| Insertion Loss (dB MAX) .07 f(GHz)                                      | Withdrawal (MIN Oz) N/A                                       | Moisture Resistance MIL-STD-202, Method 106, No Measurements at High Humidity |
| RF Leakage (dB MIN) -(60-fGHz)  | Force to Engage and Disengage (In-Lbs MAX) 2.0                | Corrosion - MIL-STD-202, Method 101, Condition B, 5% salt spray               |
| Corona, 70,000 Ft (VRMS MIN) 250  | Center Contact Captivation Axial (Lbs) 6.0 Radial (In-Oz) 4.0 |   |
| Dielectric Withstanding Voltage (VRMS MIN) @ Sea Level 1000             | Cable Retention Axial Force (Lbs) 40 Min Torque (In-Oz) N/A   |   |
| Contact Resistance (Milliohms MAX) Center Contact 3.0 Outer Contact 2.0 | Weight (Grams) TBD  |   |
| Cable to Housing 0.5  |   |   |
| RF High Potential @ Sea Level (VRMS MIN @ 5 MHz) 670                    |   |   |
| I.R.(Megohms MIN) 10000   |   |   |

THIS DRAWING IS A CONTROLLED DOCUMENT.

|                  |           |   |
|------------------|-----------|---|
| DWN PAO          | 8/13/74   | <br>Tyco Electronics Corporation<br>Harrisburg, PA 17105-3608 |
| CHK PW           | 8/16/74   |   |
| APVD PW          | 8/16/74   |   |
| PRODUCT SPEC     |           |   |
| APPLICATION SPEC |           | NAME OSM RIGHT ANGLE CABLE PLUG-SOLDER ATTACHMENT             |
| WEIGHT -         |           | SIZE A2 CAGE CODE 00779 DRAWING NO C=1052063 RESTRICTED TO -  |
| CUSTOMER DRAWING | SCALE 3:1 | SHEET 1 of 1 REV B  |